

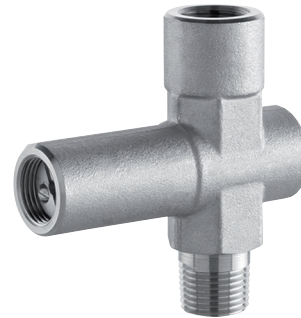
Pressure Limiting Valve - PL02 Series

FEATURES

- Protects instrument assembly from severe pressure spikes
- Prevents damage, loss of accuracy and or rupture of sensing elements
- 316Ti Stainless Steel construction

TYPICAL USES

- Oil & Gas Industry
 - Upstream: Onshore/offshore production
 - Midstream: Transport, storage and natural gas compression
 - Downstream: Refineries and petrochemical industries
- Chemical Industry
- Power Plants
 - Conventional power plants
 - Nuclear power plants
 - Flue gas desulfurization plants
- Other Industries
 - Waste incineration plants
 - Seawater desalination plants
 - Steel mills
 - Cement plants



SPECIFICATIONS

Process Conn: ¼ NPTM, ½ NPTM

Instrument Conn: ¼ NPTM, ½ NPTM

Construction: 316Ti SS

Max Pressure

Rating: 14,500 psi

Max Temperature

Rating (PTFE): 175°F (80°C)

COMPONENTS

MATERIAL

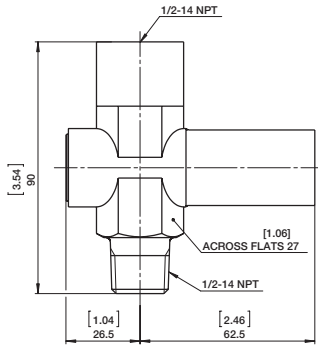
Wetted

Body	316L
Valve stem	316L
Needle tip	316Ti
Packing	PTFE up to 200 °C
Gland nut	304
Screw Plug	316L

- Isolates instrument assembly from process when set pressure is realized
- Automatically resets after 25% drop in pressure from set point
- Available set points from 6 psi to 8700 psi
- Built in pressure snubbing design
- Supplied with wetted parts according to NACE MR0175/MR0103 (CD-5 Certificate)

Pressure Limiting Valve - PL02 Series

DIMENSIONS (dimensions in [] are decimal inches)



ORDERING CODE

Example:	04	PL02	A	ST	50	0010#	XC3
Process Connection							
04 - 1/2 NPT Male	04						
02 - 1/4 NPT Male	02						
Series Code							
PL02-Valve		PL02					
Style	psi	bar/KSC					
A-Style A	6-36	.4-2.5	A				
B-Style B	30-85	2-6					
C-Style C	75-360	5-25					
D-Style D	300-850	20-60					
E-Style E	750-3600	50-250					
F-Style F	3500-5800	240-400					
G-Style G (Available in 1/4" only)							
Material							
ST - 316Ti SS				ST			
Instrument Connection							
50-1/2 NPT Female					50		
25-1/4 NPT Female							
Factory Set Range (4-digit) *other ranges available on request							
0010# - 0 psi*							
0002BR - 2-bar*							
Options							
C3-Material Traceability Report							XC3
HY-Hydrostatic Testing							
6B-Cleaned for Oxygen Service							
NH-Stainless Steel Tags							